

PARTS BAG 5, 6, Tool

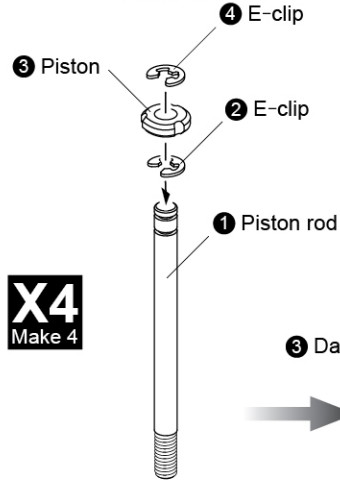
5

DAMPER

避震器

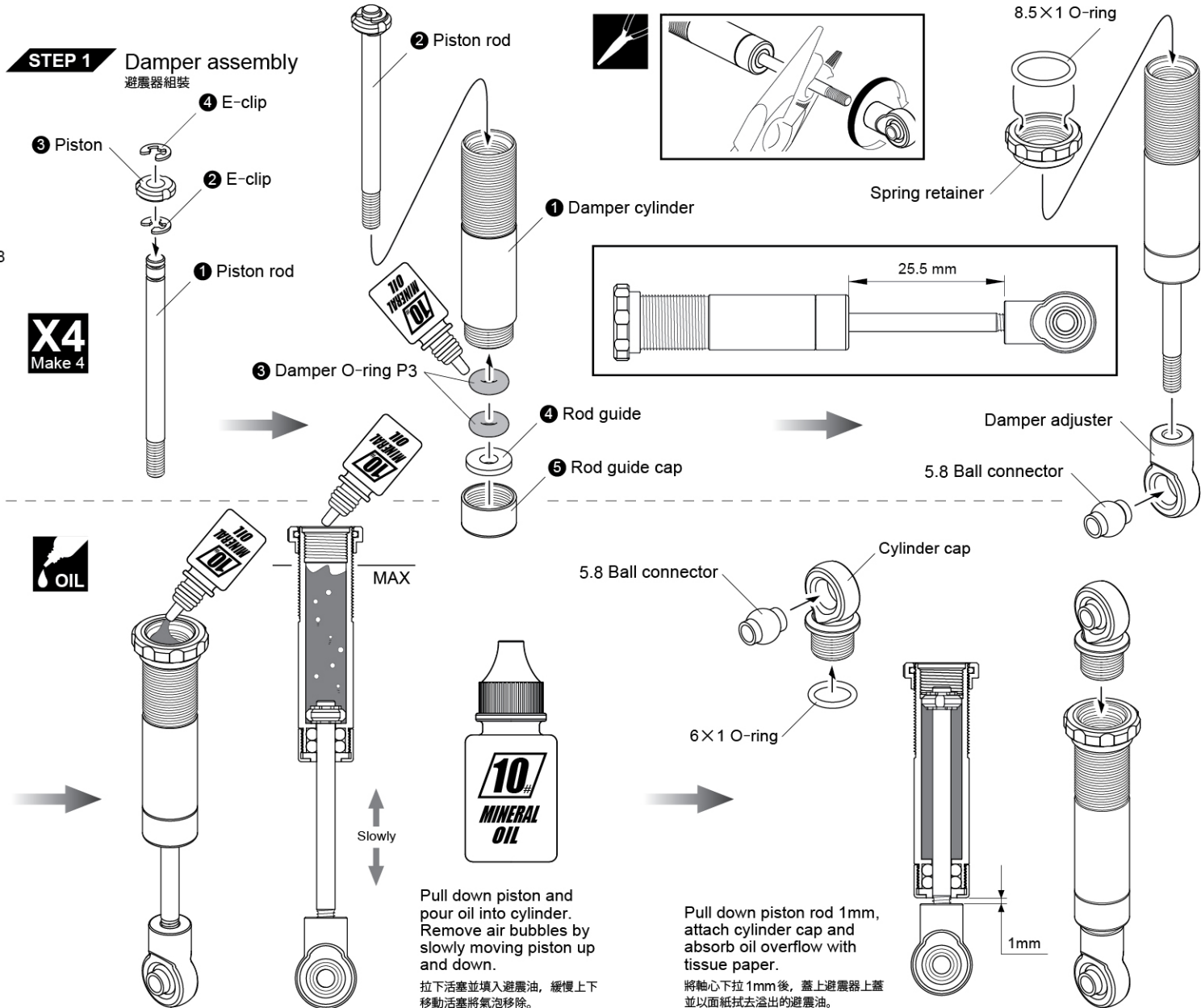
- | | | | |
|--|--|--|------------------------------|
| | Cylinder cap ×4
避震器上蓋 | | 8.5×1 O-ring ×4
O環 |
| | Rod guide cap ×4
避震器下蓋 | | 6×1 O-ring ×4
O環 |
| | Damper retainer ×4
避震器彈簧座 | | Damper O-ring P3 ×8
避震器O環 |
| | Damper adjuster ×4
避震器拉桿 | | Rod guide ×4
避震器下蓋墊片 |
| | Spring retainer ×4
避震器調整環 | | Piston ×4
活塞 |
| | Center spring retainer ×4
彈簧保持器 | | E-clip ×8
E扣 |
| | Piston rod ×4
避震軸心 | | |
| | Coil spring 30mm (hard) (silver) ×2
避震彈簧 30mm (硬) (銀) | | |
| | Coil spring 30mm (medium) (gold) ×4
避震彈簧 30mm (中) (金) | | |
| | Coil spring 30mm (soft) (red) ×2
避震彈簧 30mm (軟) (紅) | | |
| | Damper cylinder ×4
避震筒身 | | |

STEP 1 Damper assembly 避震器組裝



X4
Make 4

OIL



Pull down piston and pour oil into cylinder. Remove air bubbles by slowly moving piston up and down.
拉下活塞並填入避震油，緩慢上下移動活塞將氣泡移除。

Pull down piston rod 1mm, attach cylinder cap and absorb oil overflow with tissue paper.
將軸心下拉1mm後，蓋上避震器上蓋並以面紙拭去溢出的避震油。

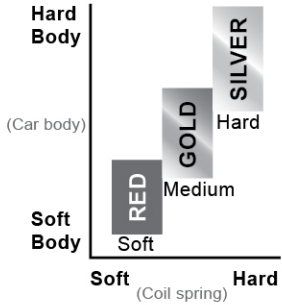
← DAMPER

避震器

STEP 1 Damper assembly

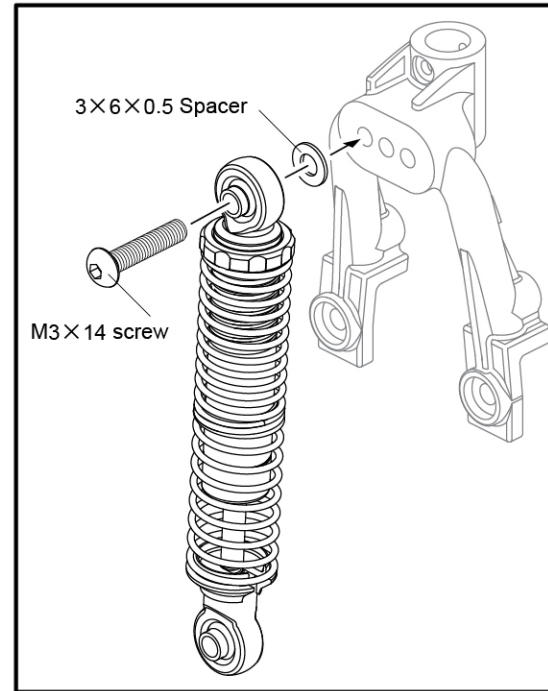
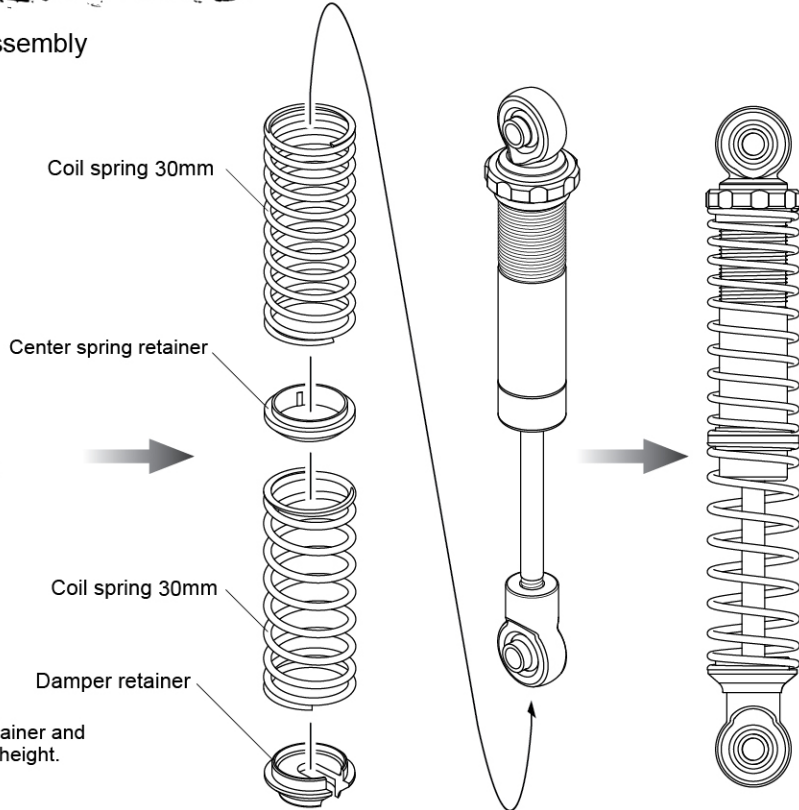
避震器組裝

※ The softer above.
軟彈簧安裝在上面。



※ Front - gold + silver
前面裝配金色+銀色
Rear - red + gold
後面裝配紅色+金色

※ Please adjust the spring retainer and spring according to the car height.
請依車高調整調整環和彈簧。



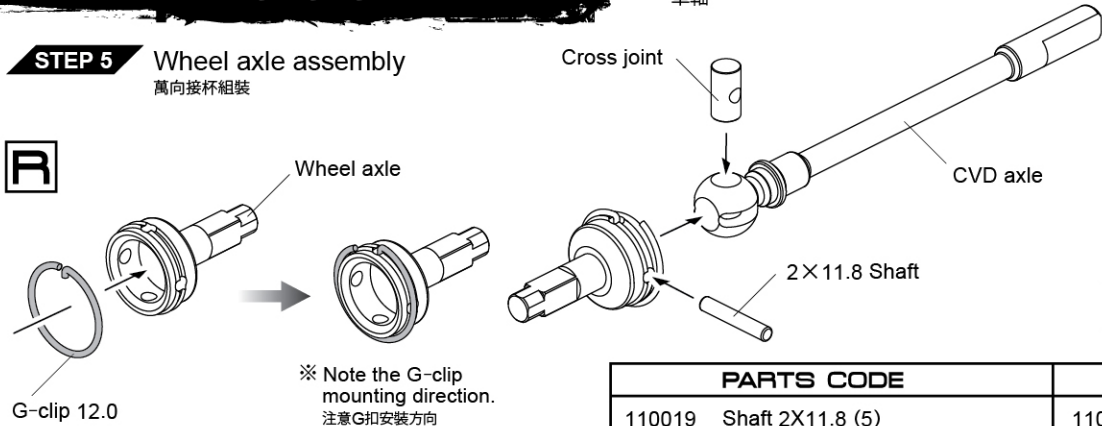
PARTS CODE	
110013	E-clip 2.0 (10)
130028	Damper O-ring P3 (blue) (10)
130052	O-ring 8.5×1 (4)
130053	O-ring 6×1 (4)
310115	Piston rod (4)
820116-1	Damper plastic maintenance set (2)
820131	30mm TC coil spring set (6)
部品編號	
110013	E扣 2.0 (10)
130028	阻尼器O環 P3 (藍) (10)
130052	O環 8.5×1 (4)
130053	O環 6×1 (4)
310115	避震軸心 (4)
820116-1	避震膠件組 (2)
820131	30mm TC 避震彈簧組 (6)

← AXLE

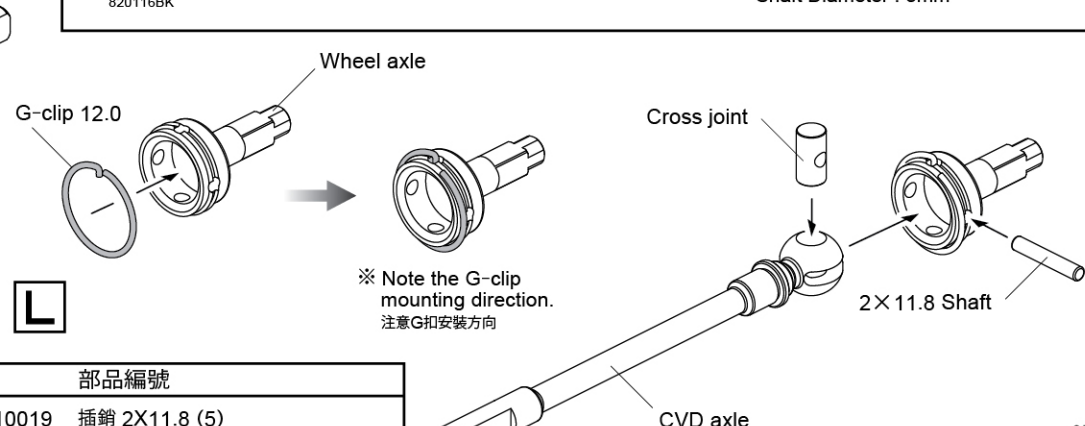
車軸

STEP 5 Wheel axle assembly

萬向接杯組裝



※ Note the G-clip mounting direction.
注意G扣安裝方向



※ Note the G-clip mounting direction.
注意G扣安裝方向

PARTS CODE		部品編號	
110019	Shaft 2X11.8 (5)	110019	插銷 2X11.8 (5)
110115	G-clip 12.0 (10)	110115	G扣 12.0 (10)
210614	MPA CVD universal shaft set	210614	MPA CVD 傳動軸組

OPTIONAL PARTS

TC70 Alum. shocks (black)(4)
TC70 鋁合金避震器組 (黑)(4)
820116BK

SPECIFICATION

Length (Mounting hole to hole) : 70mm
Shock Body Diameter : 9mm
Spring Diameter : 12mm
Spring Length : 50mm
Full Shaft Travel Range : 20mm
Shaft Diameter : 3mm